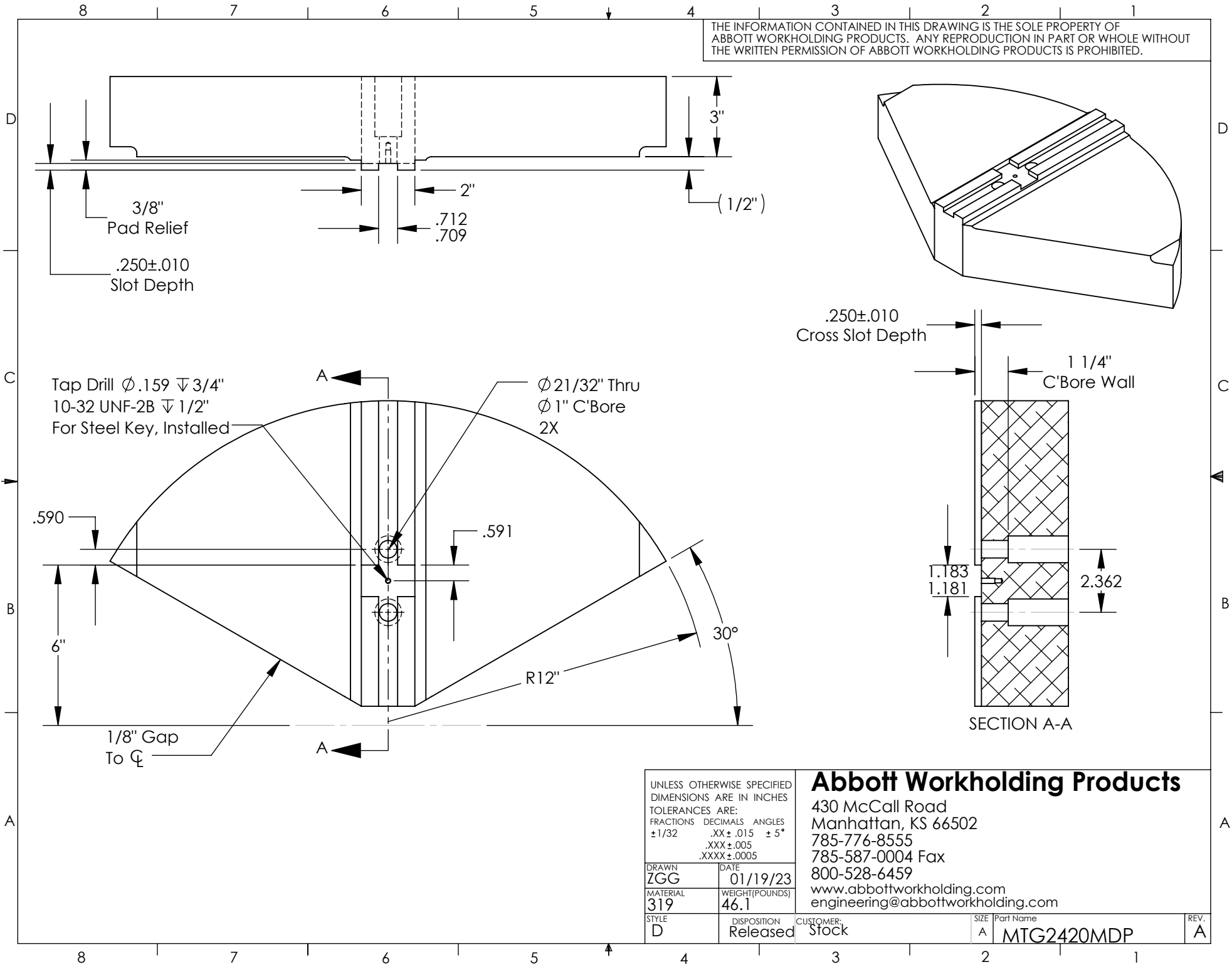


THE INFORMATION CONTAINED IN THIS DRAWING IS THE SOLE PROPERTY OF ABBOTT WORKHOLDING PRODUCTS. ANY REPRODUCTION IN PART OR WHOLE WITHOUT THE WRITTEN PERMISSION OF ABBOTT WORKHOLDING PRODUCTS IS PROHIBITED.



3/8"
Pad Relief

.250±.010
Slot Depth

Tap Drill $\phi .159 \nabla 3/4"$
10-32 UNF-2B $\nabla 1/2"$
For Steel Key, Installed

$\phi 21/32"$ Thru
 $\phi 1"$ C'Bore
2X

.250±.010
Cross Slot Depth

1 1/4"
C'Bore Wall

SECTION A-A

UNLESS OTHERWISE SPECIFIED DIMENSIONS ARE IN INCHES TOLERANCES ARE: FRACTIONS DECIMALS ANGLES $\pm 1/32$.XX $\pm .015$ $\pm 5^\circ$.XXX $\pm .005$.XXXX $\pm .0005$	
DRAWN ZGG	DATE 01/19/23
MATERIAL 319	WEIGHT(POUNDS) 46.1
STYLE D	DISPOSITION Released

Abbott Workholding Products

430 McCall Road
Manhattan, KS 66502
785-776-8555
785-587-0004 Fax
800-528-6459

www.abbottworkholding.com
engineering@abbottworkholding.com

CUSTOMER: Stock	SIZE A	Part Name MTG2420MDP	REV. A
--------------------	-----------	-------------------------	-----------